

Instructions



TCP300 and TCP400 Series AC/DC Current Probes

071-1185-00

www.tektronix.com



071118500

TCP312, TCP305, TCP303, and TCP404XL AC/DC Current Probes

TCP312, TCP305, and TCP303 Current Probes are designed to work with the TCPA300 Current Probe Amplifier. The TCP404XL Current Probe is designed to work with the TCPA400 Current Probe Amplifier. See Figure 1 below.

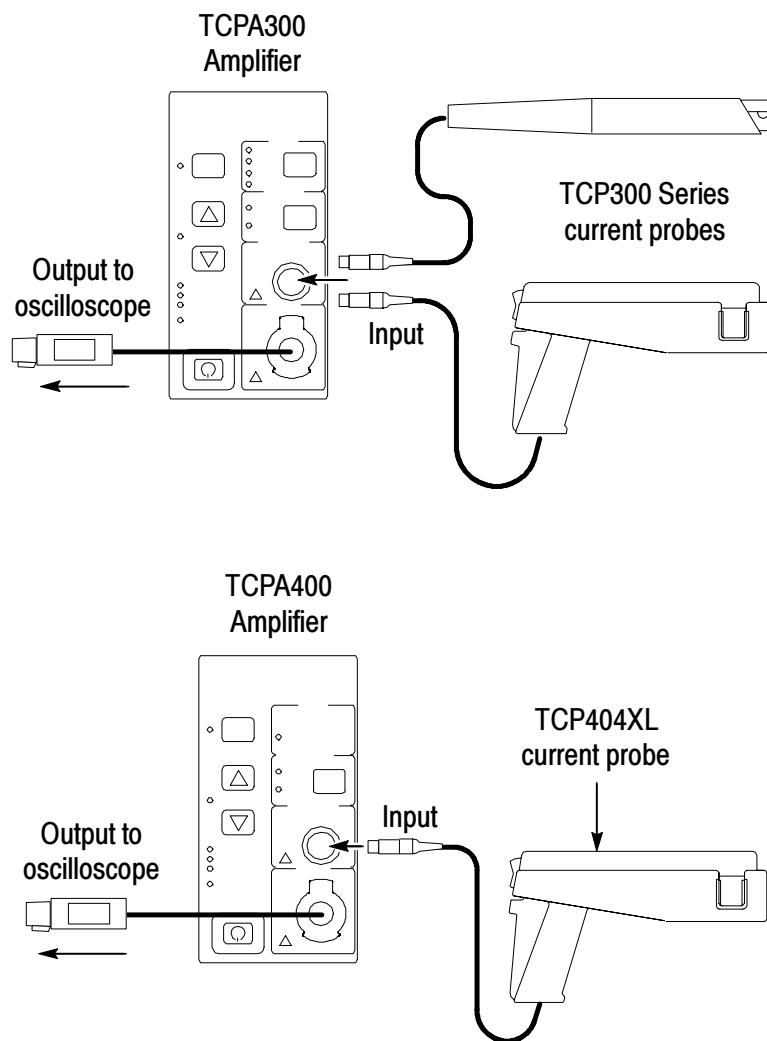
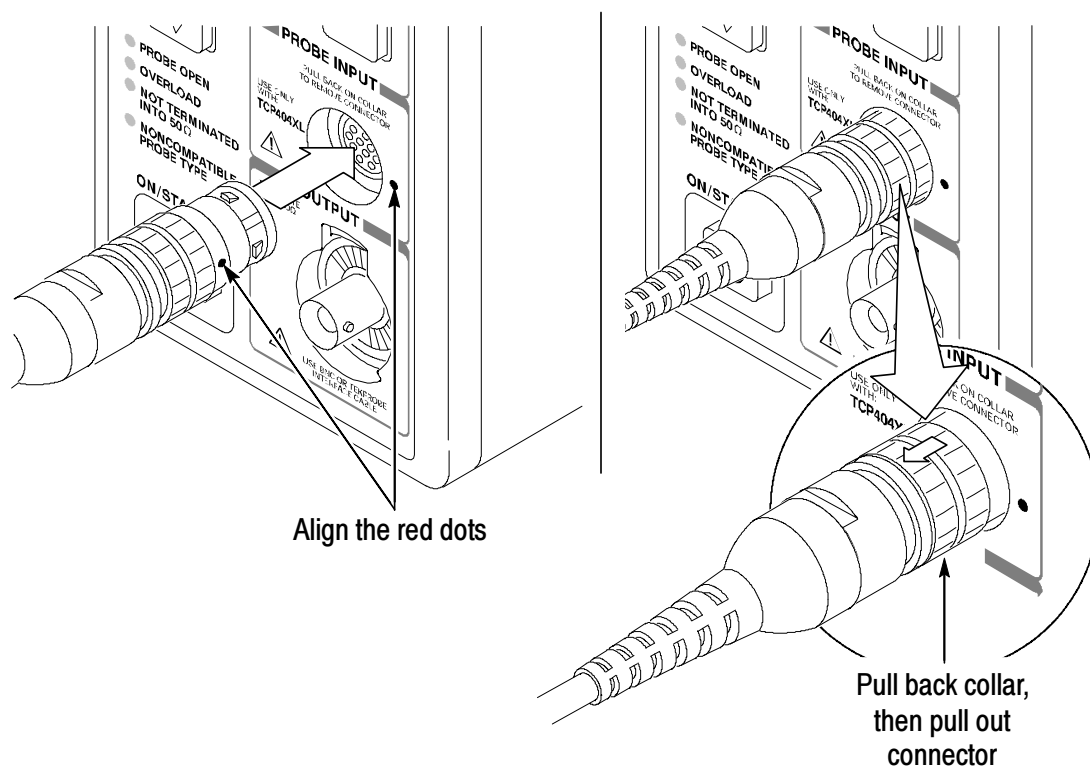


Figure 1: Probe/Amplifier compatibility

Getting Started

To connect the current probe to the amplifier, align the red dots on the two connectors and gently push the probe connector in. Do not twist the connector.

De-gauss the probe before you take measurements: Press the PROBE DEGAUSS AUTOBALANCE button and wait 5 seconds for the LED to turn green. See your amplifier manual for complete details.



Specifications

- | | |
|------------|--|
| ■ TCP312 | DC - 100 MHz, 30 A DC |
| ■ TCP305 | DC - 50 MHz, 50 A DC |
| ■ TCP303 | DC - 15 MHz, 150 A DC |
| ■ TCP404XL | DC - 2 MHz, 500 A DC
(750 A DC derated with duty cycle) |

Standard Accessories

The following accessories are shipped with the probes:

- Probe cover
- Probe ground lead, 6 inch length (TCP305 and TCP312 only)
- Instruction Sheet
- Certificate of Traceable Calibration

Recommended Accessories

The following accessories can be ordered for your probes:

- Deskew Fixture - Tektronix part number 067-1478-00
- Travel Case - Tektronix part number 016-1922-00

Related Documentation

For a complete list of specifications, accessories, and operating information for the probes, refer to the *TCPA300/400 Amplifiers & TCP300/400 Series AC/DC Current Probes Instruction Manual*, Tektronix part number 071-1183-XX.

WARRANTY SUMMARY

Tektronix warrants that the products that it manufactures and sells will be free from defects in materials and workmanship for a period of one (1) year from the date of shipment. If a product proves defective within the respective period, Tektronix will provide repair or replacement as described in the complete warranty statement.

To arrange for service or obtain a copy of the complete warranty statement, please contact your nearest Tektronix sales and service office.

EXCEPT AS PROVIDED IN THIS SUMMARY OR THE APPLICABLE WARRANTY STATEMENT, TEKTRONIX MAKES NO WARRANTY OF ANY KIND, EXPRESS OR IMPLIED, INCLUDING WITHOUT LIMITATION THE IMPLIED WARRANTIES OF MERCHANTABILITY AND FITNESS FOR A PARTICULAR PURPOSE. IN NO EVENT SHALL TEKTRONIX BE LIABLE FOR INDIRECT, SPECIAL OR CONSEQUENTIAL DAMAGES.

Copyright © 2002. Tektronix, Inc.
All rights reserved.